

Retrofit Volumetric Panel Instructions



IMPORTANT

READ CAREFULLY BEFORE INSTALLING FIXTURE. RETAIN THESE INSTRUCTIONS FOR FUTURE REFERENCE.

The fixtures must be wired in accordance with the National Electrical Code and all applicable local codes. Proper grounding is required for safety. THIS PRODUCT MUST BE INSTALLED IN ACCORDANCE WITH THE APPLICABLE INSTALLATION CODE BY A PERSON FAMILIAR WITH THE CONSTRUCTION AND OPERATION OF THE PRODUCT AND THE HAZARDS INVOLVED.

Make certain power is OFF before installing or maintaining fixture.

SAFETY INSTRUCTIONS

WARNING - Risk of fire or electric shock. Luminaire wiring and electrical parts may be damaged when drilling for installation of LED retrofit kit. Check for enclosed wiring and components.

WARNING - Risk of fire or electric shock. Install this kit only in luminaires that have the construction features and dimensions shown in the photographs and/or drawings and where the input rating of the retrofit kit does not exceed the input rating of the luminaire.

Only those open holes indicated in the drawings may be made or altered as a result of kit installation. Do not leave any other open holes in an enclosure of wiring or electrical components.

Do not make or alter any open holes in an enclosure of wiring or electrical components during kit installation.

WARNING - To prevent wiring damage or abrasion, do not expose wiring to edges of sheet metal or other sharp objects to lampholder lead wires by employing applicable connectors.

RECESSED CEILING MOUNTING

The fixture is suitable only for INDOOR RECESSED CEILING application. To mount in an insulated or non-insulated ceiling exposed **Flat Tee Grid Ceiling** follow the steps below.

1. Remove existing lamps, door frame (if applicable), reflector and cover. Depending on clearance space, ballast may need to be removed.
2. Gently lift the original luminaire housing and slide in both side brackets between the **housing** and the T-grid. Lower the housing to rest on the brackets, securing them in place. (fig. 1 & 2)
3. Hang the retrofit kit body by hooking the **T-hinges** into the respective on one mounting brackets. (fig. 3)
4. Attach the safety cables to the original luminaire housing using the self-tapping hex screws provided.
5. Connect the retrofit kit power to the AC power. Insert the black wire (line) from the power into the provided LED quick connector marked with a black circle. Insert the white wire (neutral) into the unmarked port. Connect the power supply to the retrofit kit.
6. Wire the existing fixture's green wire (ground) to the retrofit kit's green wire. If a ground wire is missing from the power supply, attach the retrofit kit's ground wire directly to the luminaire **housing**.
7. For 4ft long fixtures, secure the housing by locking to the side bracket. Secure the left and center bracket together and then right side latch. Be sure the side bracket is pushed close to retrofit kit.

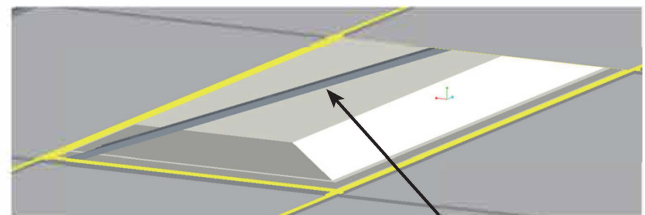


Fig. 1 Tee-Grid Bar

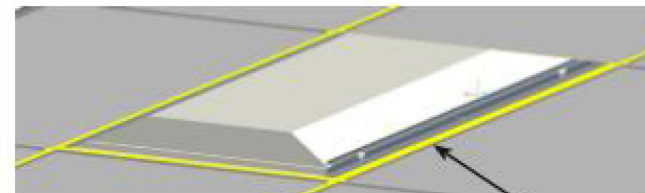
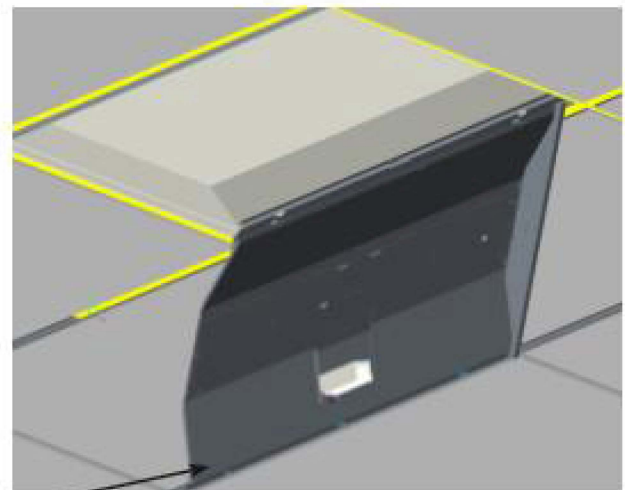


Fig. 2 T-Hinges



Housing Fig. 3

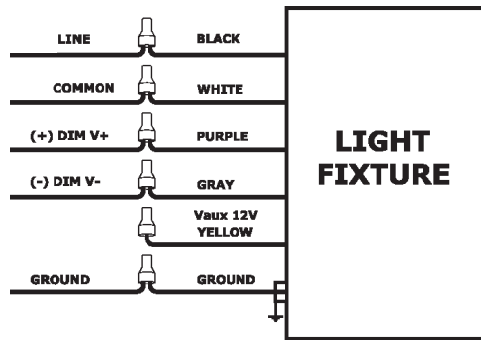
Retrofit Volumetric Panel Instructions



0-10V DIMMABLE WIRING

Universal voltage driver permits operation at 120V thru 277V, 50 or 60 Hz. 0-10V control wires must be rated for 300V minimum. For 0-10V Dimming, follow the wiring directions shown below.

1. Connect the black fixture lead to the LINE supply lead.
2. Connect the white fixture lead to the COMMON supply lead.
3. Connect the GROUND wire from fixture to supply ground. Do NOT connect the GROUND of the dimming fixture to the output.
4. Connect the violet fixture lead to the (V+) DIM lead.
5. Connect the gray fixture lead to the (V-) DIM lead.



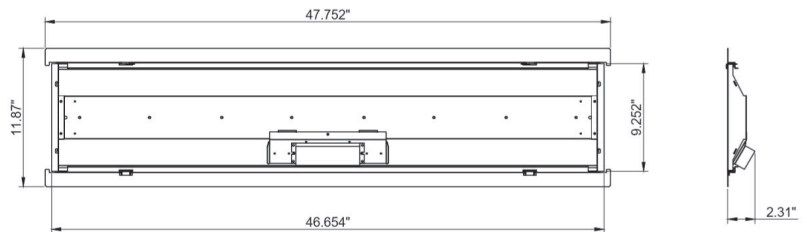
CLEANING & MAINTENANCE

CAUTION: Be sure fixture temperature is cool enough to touch. Do not clean or maintain while fixture is energized.

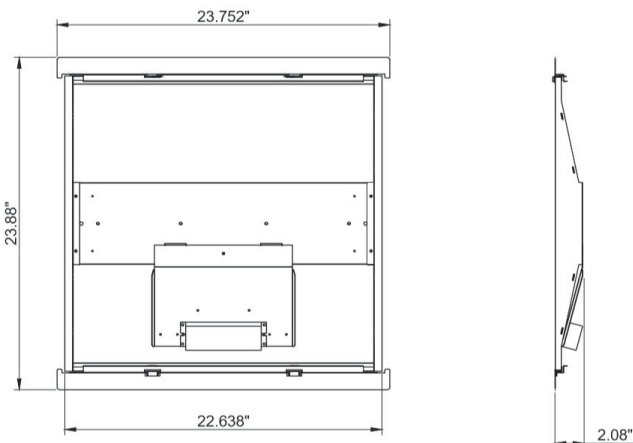
1. Clean polycarbonate lens & fixture with non-abrasive cleaning solution.
2. Do not open fixture to clean the LEDs. Do not touch the LEDs.

TROUBLESHOOTING

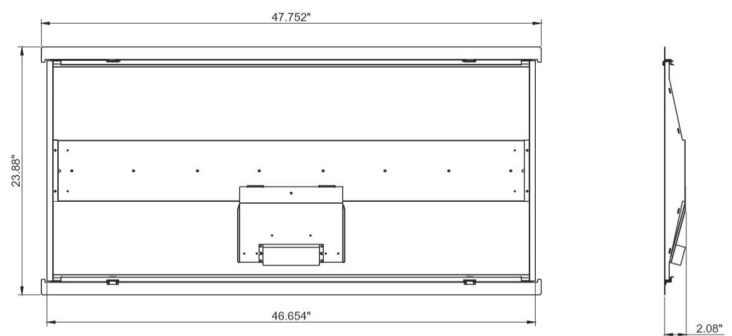
1. Check that the line voltage at fixture is correct. Refer to wiring directions.
2. Be sure the fixture is grounded properly.



DIMENSIONS OF 1X4 KIT



DIMENSIONS OF 2X2 KIT



DIMENSIONS OF 2X4 KIT